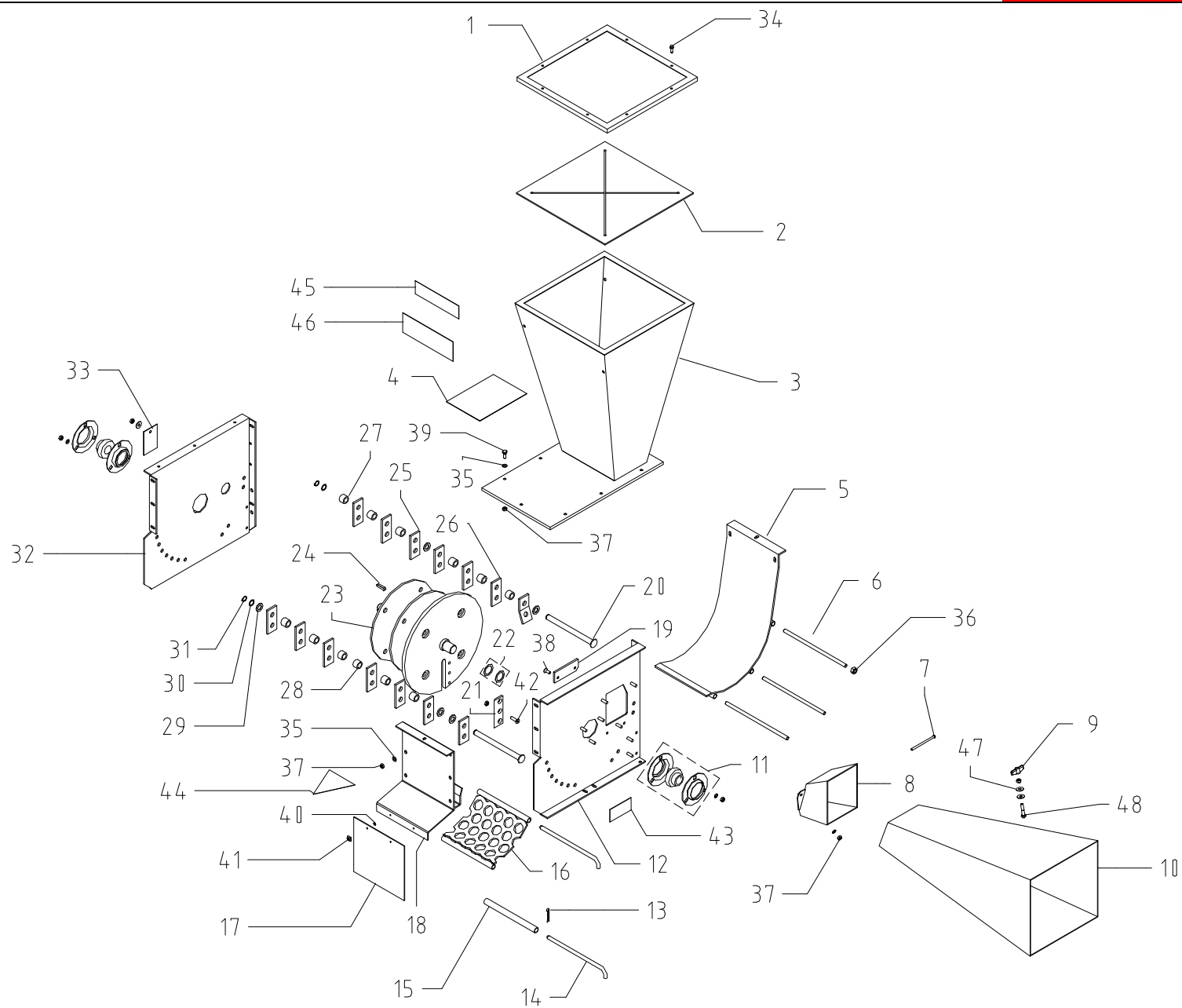


BIO 100

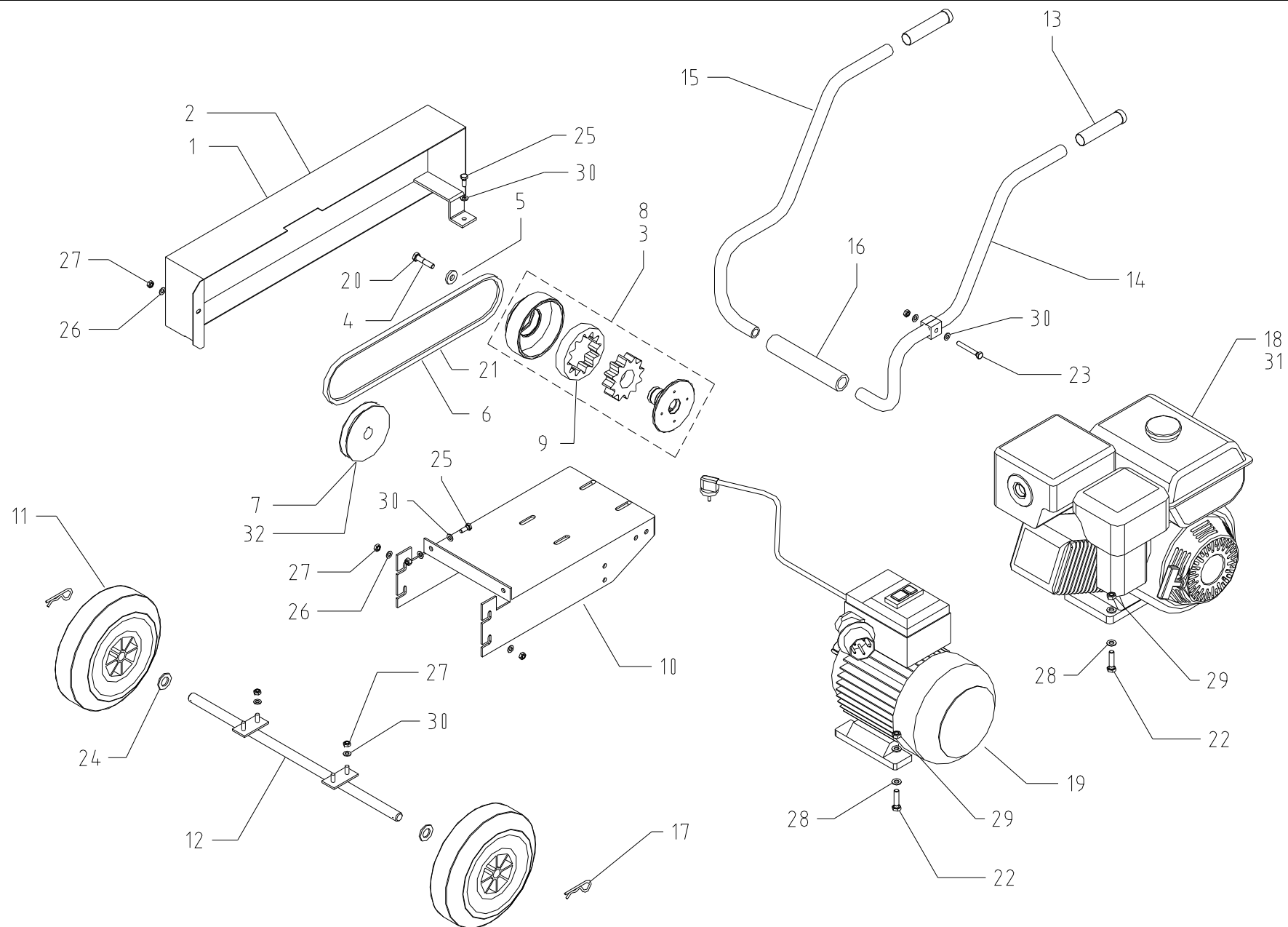


BIO 100



Pos.	Description	Q.ty	Code	Pos.	Description	Q.ty	Code
1	Frame	1	010300000	39	Screw TE M 8x20	15	011600000
2	Hopper rubber	1	010302001	40	Washer ϕ 6x12	2	510003005
3	Hopper	1	010304000	41	Rivet ϕ 4,9x16 Al	2	530002000
4	Decal	1	000000002	42	Screw TSPEI M 8x30	3	500012008
5	Bottom	1	012000000	43	Decal	1	000000041
6	Pin	3	012100000	44	Decal	1	000000008
7	Pin	1	011810002	45	Decal	1	000000012
8	Chipper mouthpiece support	1	011601000	46	Decal	1	000000005
9	Hand grip M 8	1	540006800	47	Screw TE M8x30	1	500019508
10	Chipper mouthpiece	1	011810000	48	Washer ϕ 9x27	2	510005509
11	Bearing SBPF 206	2	550002030				
12	Frame	1	012500000				
13	Pin R	5	530003000				
14	Screen rod	5	012700000				
15	Tube	5	013200000				
16	Screen ϕ STD	1	012800000				
17	Discharge rubber	1	012900000				
18	Discharge frame	1	012200000				
19	Counterblade	1	013000000				
20	Rotor pin	4	010102000				
21	Chipper blade	1	013300000				
22	Spacer PS ϕ 30	x	021100002				
23	Rotor	1	010101000				
24	Key 8x25	1	530004000				
25	Hammer	26	010103000				
26	Hammer "L"	2	010104000				
27	Spacer H=18	12	010108001				
28	Spacer H=21	16	010105000				
29	Washer ϕ 16x3	10	511120020				
30	Spacer PS ϕ 16	4	080009016				
31	Seeger ring	4	510012000				
32	Frame	1	010140000				
33	Plate covering the hole galvanized	1	011300000				
34	Screw TE ST 6,3x19	12	500007000				
35	Washer ϕ 9x18	15	510005009				
36	Self lock nut M 12	6	520003012				
37	Self lock nut M 8	28	520002008				
38	Screw TSPEI M 8x20	2	500011008				

BIO 100 B / E

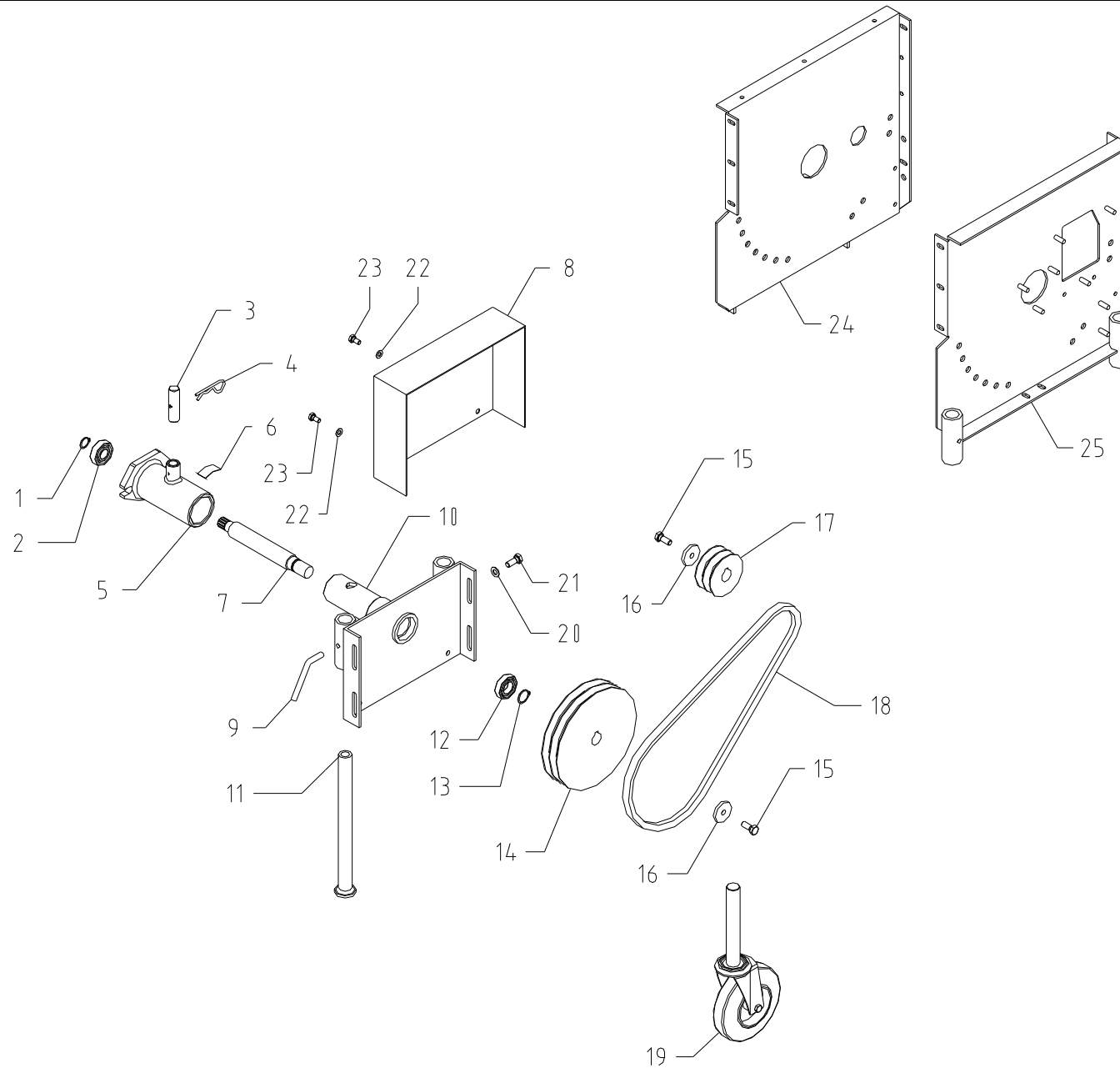


BIO 100 B / E



Pos.	Description	Q.ty	Code
1	Belt guard casing (B)	1	019700000
2	Belt guard casing (E)	1	014000000
3	Centrifugal clutch 1A 122 (E)	1	013800001
4	Screw 7/16" UNF (B)	1	507160134
5	Retainer washer	1	510000843
6	Belt A-56 (B)	1	014900056
7	Pulley 1A 120 (B)	1	014800000
8	Centrifugal clutch 1A 122 (B)	1	013800000
9	Centrifugal rubber ϕ 122	1	019400000
10	Engine support	1	014500001
11	Wheel	2	014700000
12	Axle	1	014600000
13	Hand grip ϕ 25	2	020903000
14	Handle SX	1	014300252
15	Handle DX	1	014300253
16	Rubber tube	1	013900001
17	Pin R 5	2	530002100
18	Engine 9 HP	1	014100002
19	Electric motor 5,5 HP	1	031100055
20	Screw TE M 10x30 (E)	1	500010010
21	Belt A-50 (E)	1	620030042
22	Screw TE M10x40	4	500009410
23	Screw TE M8x70	4	500070008
24	Washer ϕ 20	2	510002520
25	Screw TE M8x20	3	500008008
26	Washer ϕ 9x27	5	510005509
27	Self lock nut M8	11	520002008
28	Washer ϕ 11x22	8	530001800
29	Self lock nut M10	4	520007010
30	Washer ϕ 9x18	15	510005009
31	Engine 8 HP	1	014200000
32	Pulley 1A 100 (E)	1	019600000

BIO 100 MTC

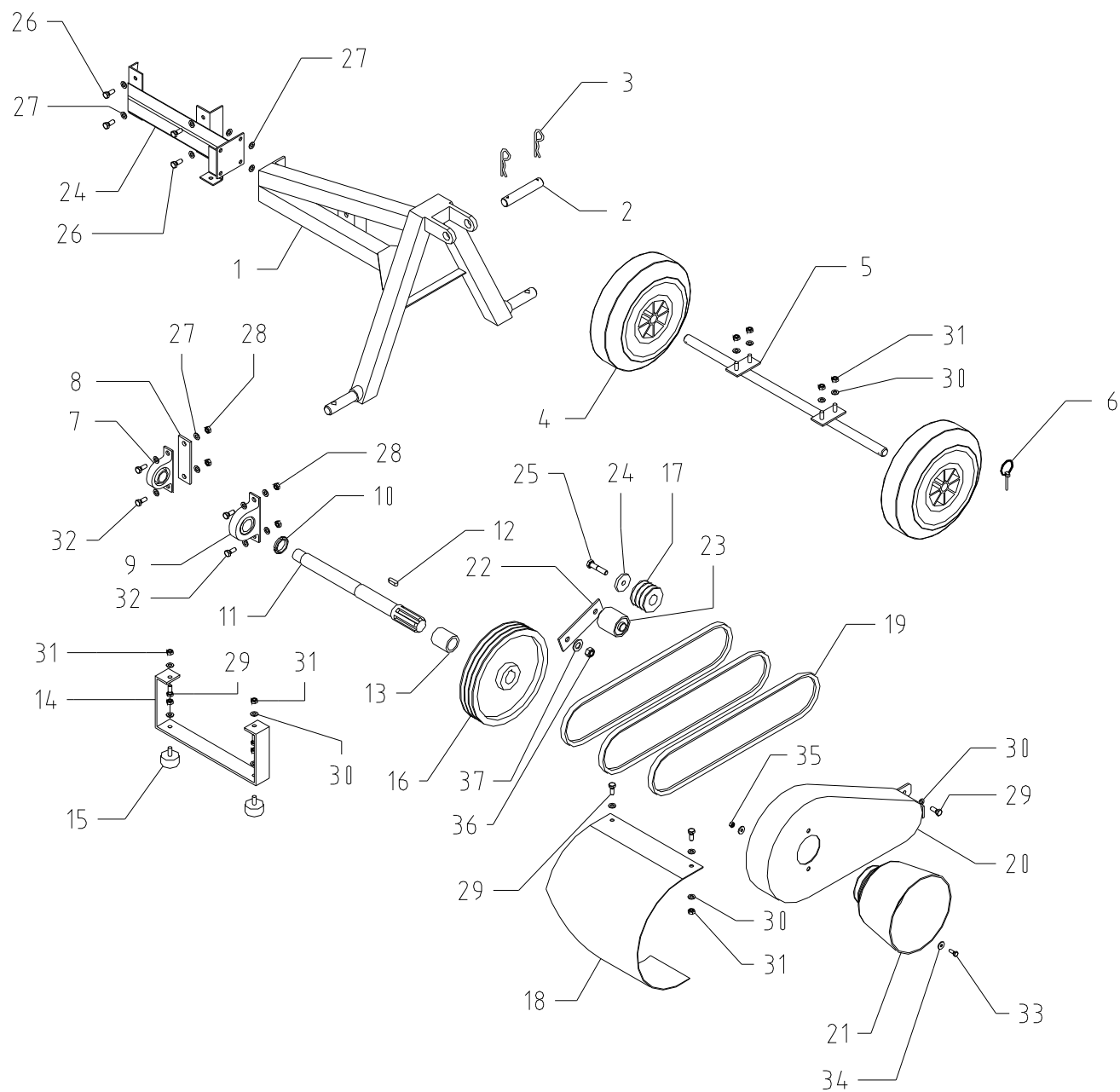


BIO 100 MTC



Pos.	Description	Q.ty	Code
1	Seeger ring E-20	1	510009000
2	Bearing 6204 2 RS	1	540001000
3	Gudgeon pin	1	010202000
4	Pin R 2,5	1	530001000
5	Support AR	1	010201000
6	Decal	1	010900000
7	Shaft	1	010203000
8	Belt guard casing	1	010700000
9	Pin	4	011000000
10	Plate	1	010204000
11	Rubber feet	2	011100000
12	Bearing 6205 2 RS	1	540002000
13	Seeger ring E-25	1	510011000
14	Pulley 2A 200	1	013100000
15	Screw TSPEI M 10x35	2	500010010
16	Retainer washer	2	013500000
17	Pulley 2A 80	1	011200000
18	Belt A-34	2	620002034
19	Wheel	2	012600000
20	Washer ø11x22	4	530001800
21	Screw TE M10x25	4	500012001
22	Washer ø9x18	2	510005009
23	Screw TE M8x20	2	500008008
24	Frame MTC	1	012500001
25	Chipper frame MTC	1	010141000

BIO 100 T



BIO 100 T



Pos.	Description	Q.ty	Code
1	Frame	1	025000000
2	Gudgeon pin	1	010202001
3	Pin R5	2	530001000
4	Wheel	2	014700000
5	Axle	1	014600000
6	Circlip pin	2	530002100
7	Bearing SBPP 205	1	540004000
8	Plate sp 5 mm	2	520003010
9	Bearing SBPP 206	1	540005000
10	Metal ring M 30	1	530008030
11	Shaft P.T.O.	1	025200000
12	Key	1	530005000
13	Spacer	1	025300000
14	Feet support	1	025800000
15	Rubber feet	2	013900000
16	Pulley 3Z 224	1	025700000
17	Pulley 3Z 55	1	025500000
18	Plate	1	014300256
19	Belt Z-38 ¼	3	025400000
20	Belt guard casing	1	025600000
21	Protective hood P.T.O.	1	520008003
22	Idler support	1	014340257
23	Idler ø50	1	014330257
24	Support frame	1	025000010
25	Screw TE M 10x20	1	520004010
26	Screw TE M 10x30	4	500010010
27	Washer ø11x22	4	530001800
28	Self lock nut M10	4	520007010
29	Screw TE M8x20	5	500008008
30	Washer ø9x18	9	510005009
31	Self lock nut M8	8	520002008
32	Screw TE M10x50	4	520002510
33	Screw TE M6x16	2	520004506
34	Washer ø6x18	4	510010006
35	Self lock nut M6	2	520003506
36	Self lock nut M12	1	520003012
37	Washer ø13x26	1	520003013